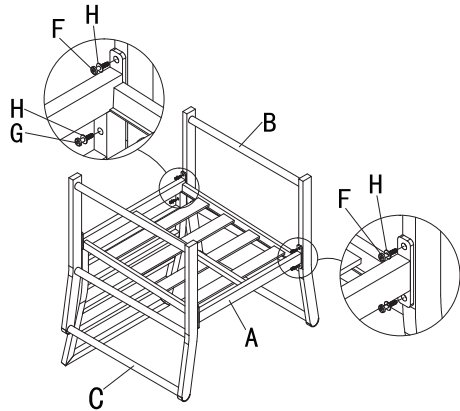
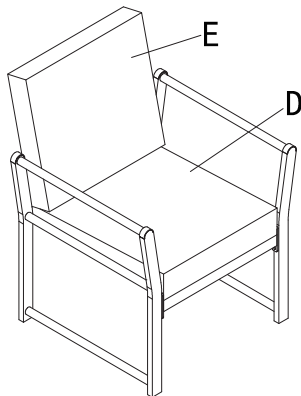


Assembly Instructions

- 1 Attach the side panel (B) and (C) to the chair body (A) with M6*25mm bolts (F), M6*45mm bolts (G) and M6 washers (H). And tighten all the bolts with allen wrench (I).



- 2 Place the back cushion (E) and seat cushion (D), and now the chair is ready for use.



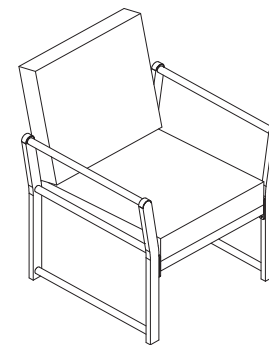
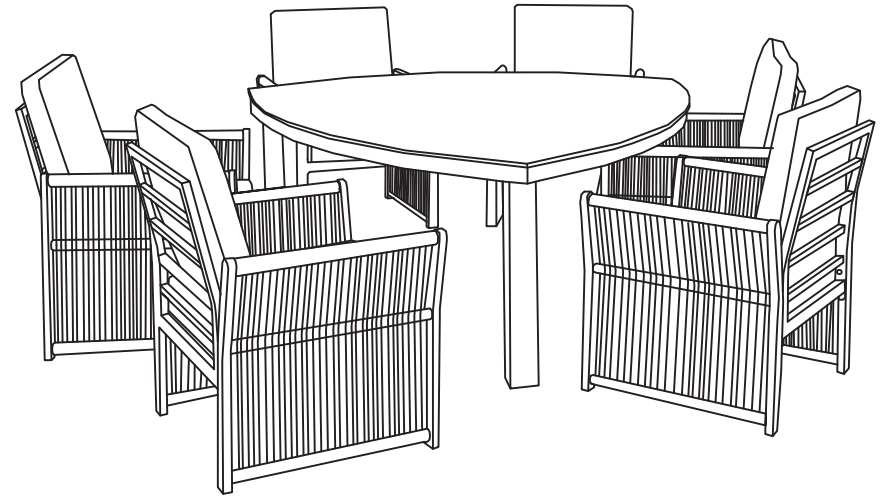
Important: Do not fully tighten all screws until assembly is complete.

Fillier

— Established 1864 —

Assembly Instructions

Chair for Conversa 6 Seater Dining Set
(502727)



Important: Do not fully tighten all screws until assembly is complete.

Safety and Care Advice

Important – Please read these instructions fully before starting assembly

- Close supervision is necessary when this furnishing is used by or near children, or disabled persons, if applicable.
- Check you have all components and tools listed on page 3.
- Make sure you have enough space to layout the parts before starting.
- Do not stand or put weight on the parts during assembly, this could cause damage.
- Remove all fittings from the plastic bags and separate them into their groups.
- Keep children and animals away from the work area, small parts could choke if swallowed.
- Assemble on a soft level surface to avoid damaging the unit or your floor.
- Dispose of all packing carefully and responsibly.



• We do not recommend the use of power drill/drivers for inserting screws, as this could damage the unit, only use hand screwdrivers.

- Do not jump on this chair.
- Do not place very hot or very cold items on the chair.
- Please lift with care.

Care and maintenance

- When not in use, please store the cushion indoors.
- Do not use washing powders or any abrasive substances which may scratch the surface.
- Use a mild soap and water for normal cleaning. Do not use janitorial or alcohol based cleaners. Some cleaners may be marked as natural, but some ingredients may cause discoloration or have an adverse reaction to your finish.
- We recommend the use of furniture covers when not in use
- In order to prolong the life and your chair, we recommend it be stored in a dry and protected area during off season periods.


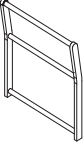
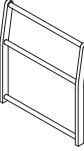
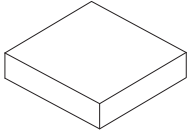
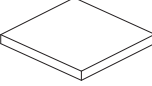



Friendly Tips

- Do not fully tighten all screw until assembly is complete.
- Make sure the assemble will be easier with 2 people.

Components - Parts & Fittings

Please check you have all the parts & fittings listed below

Note: The quantities below are the correct amount to complete the assembly. In some cases more fittings may be supplied than are required.

<p>A</p>  <p>Chair body x 1</p>	<p>B</p>  <p>Left panel x 1</p>
<p>C</p>  <p>Right panel x 1</p>	<p>D</p>  <p>Seat cushion x 1</p>
<p>E</p>  <p>Back cushion x 1</p>	<p>F</p>  <p>M6*25mm bolts x 6</p>
<p>G</p>  <p>M6*45mm bolts x 2</p>	<p>H</p>  <p>M6 washers x 8</p>

Tools Provided



I Allen wrench x 1



– Established 1864 –

Hillier Garden Centres Head Office, The Stables, Ampfield House,
Ampfield, Romsey, Hampshire SO51 9BQ
Contact: 01794 369062