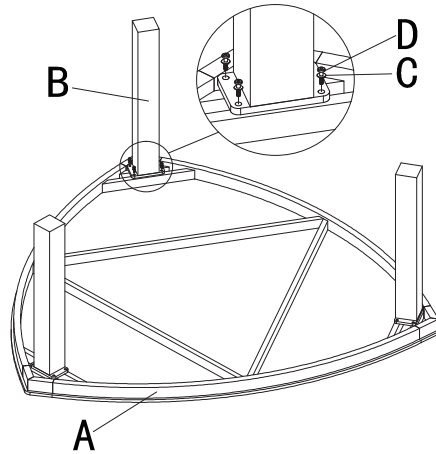
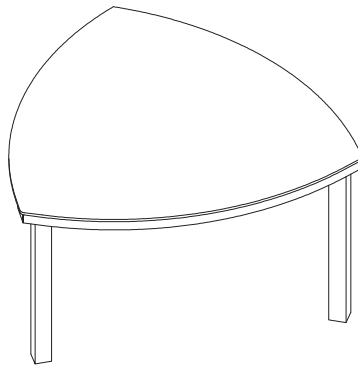


Assembly Instructions

- 1 Attach the legs (B) to the table top (A) with M6*30 mm bolts (C) and washers (D). And tighten all the bolts with allen wrench (E).



- 2 Turn the table over and set it down on its legs. The table is now ready for use.



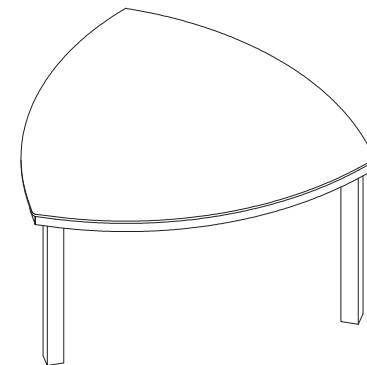
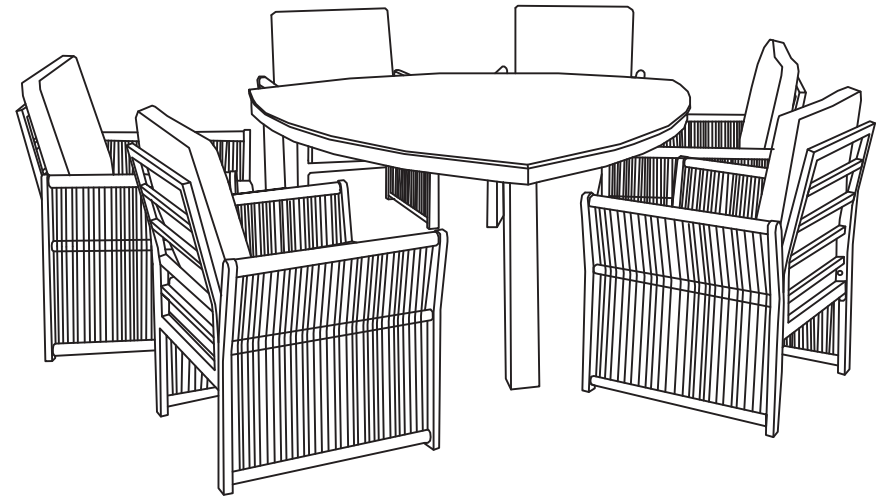
Important: Do not fully tighten all screws until assembly is complete.

Fillier

– Established 1864 –

Assembly Instructions

Table for Conversa 6 Seater Dining Set
(502727)



Important: Do not fully tighten all screws until assembly is complete.

Safety and Care Advice

Important – Please read these instructions fully before starting assembly

- Close supervision is necessary when this furnishing is used by or near children, or disabled persons, if applicable.

- Check you have all the components and tools listed on page 3.

- Make sure you have enough space to layout the parts before starting.

- Do not stand or put weight on the parts during assembly, this could cause damage.

- Remove all fittings from the plastic bags and separate them into their groups.

- Keep children and animals away from the work area, small parts could choke if swallowed.

- Assemble on a soft level surface to avoid damaging the unit or your floor.



- We do not recommend the use of power drill/drivers for inserting screws, as this could damage the unit, only use hand screwdrivers.

- Dispose of all packing carefully and responsibly.

- Do not sit or stand on this table.

- Please lift with care.

Care and maintenance

- We recommend the use of furniture covers when not in use

- In order to prolong the life and your table, we recommend it be stored in a dry and protected area during off season periods.

- Do not use washing powders or any abrasive substances which may scratch the surface.

- Use a mild soap and water for normal cleaning. Do not use janitorial or alcohol based cleaners. Some cleaners may be marked as natural, but some ingredients may cause discoloration or have an adverse reaction to your finish.

Friendly Tips

- Do not fully tighten all screw until assembly is complete.
- Make sure the assemble will be easier with 2 people.

Components - Parts & Fittings

Please check you have all the parts & fittings listed below

Note: The quantities below are the correct amount to complete the assembly. In some cases more fittings may be supplied than are required.

A

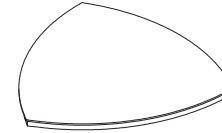


Table top x 1

B

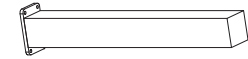


Table leg x 3

C



M6*30 mm bolts x 12

D



M6 washers x 12

Tools Provided



E Allen wrench x 1



Hillier Garden Centres Head Office, The Stables, Ampfield House,
Ampfield, Romsey, Hampshire SO51 9BQ
Contact: 01794 369062

Table Top Guidelines

During assembly do not lay the sinter stone table top directly onto hard or rough surfaces. We recommend laying the table top on a blanket or cardboard during assembly. You could even use the box.

When lifting or moving the product, ask for someone to lend a hand, trying to move a product on your own can lead to accidents.

Do not use furniture if any parts are missing or broken. Contact your retailer immediately.

Do not place very hot or very cold items, such as saucepans or barbecues, directly on the top surface. Extreme temperature differences over small areas can damage the top surface.

Do not sit or stand up on the sinter stone table top surface.

Do not strike the table top with hard or pointed items, or use the table top as a chopping surface.

Do not drag rough or heavy objects over the top of the table.

We recommend using place mats, coasters and table cloths to help protect against scratches and accidentally dropped items.

Clean the table top regularly to make sure there are no grit on the top.

Do not clean the table top with washing powders or any other substances containing abrasives, since these substances can scratch the table top.

For tables that can be used outdoors, if your table has a parasol, make sure the edge of the parasol cut-out has a protector in place. In addition always use a weighted parasol base, and remove the parasol in windy conditions. Parasols can put pressure on the table top or even blow the table over in windy weather.

For tables that can be used outdoors it is advised that the table is kept covered when not in use to protect the table top from the weather and accidental damage.