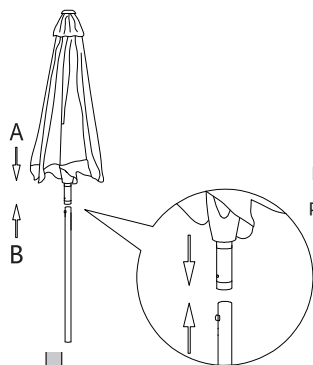


Assembly Instructions

BEFORE FIRST USE

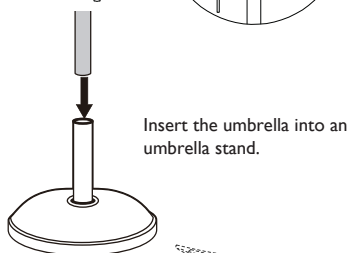
1. Hold the part A umbrella upside down and shake gently to separate the umbrella ribs. If necessary, carefully pull the ribs apart to free them.
2. Slowly turn the crank to open the umbrella. Make sure that the ribs are not stuck together.

1



Firmly insert the part A umbrella into the part B pole until it locks in place.

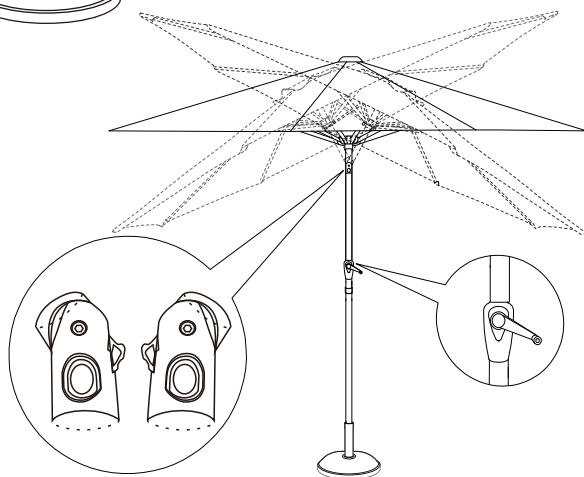
2



Insert the umbrella into an umbrella stand.

Note:
Umbrella stand is not included
and is for illustrative purposes only.

3



Turn clockwise
to open, ↻
counter-clockwise
to close. ↻

Press the button to adjust the tilt to your desired position.

CAUTION:
DO NOT over-rotating the Crank Handle

Hillier Garden Centres Head Office, The Stables, Ampfield House,
Ampfield, Romsey, Hampshire SO51 9BQ

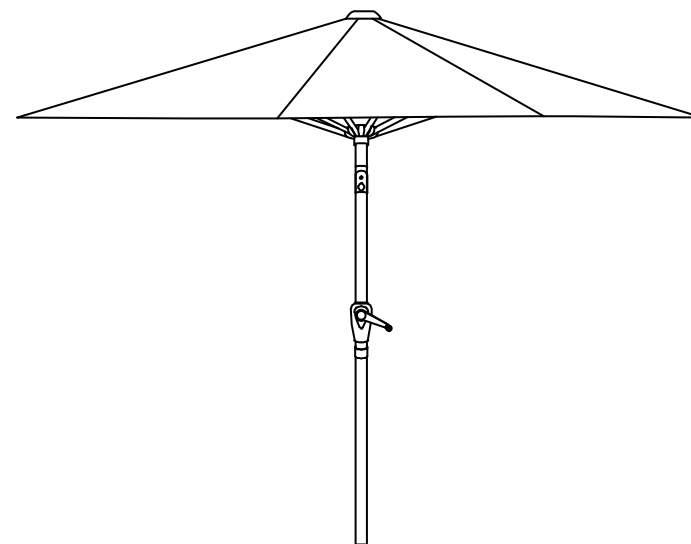


— Established 1864 —

Assembly Instructions

Dia2.7m Parasol

(00479525 & 00502226 & 00502227)



**IMPORTANT: PLEASE KEEP THIS BOOKLET FOR FUTURE REFERENCE.
THIS IS IMPORTANT INFORMATION REGARDING THE USE AND
CARE OF YOUR GARDEN FURNITURE.**

Safety and Care Advice

Important – Please read these instructions fully before starting assembly

SAFETY INFORMATION

- When assembling and using this product, safety precautions should always be followed to reduce the risk of personal injury and damage to equipment.
- Please read all instructions before assembly and use.
- This product may only be used for its intended purpose as furniture for residential properties.
- Check all components regularly for correct function, damage and loose connections especially at the start of the season and at 1-2 month intervals dependent on use.
- Damaged components may endanger your safety or shorten the life of the product. Replace all damaged parts immediately. Use only spare parts manufactured by Hillier .
- Hillier will not be responsible for damaged caused by improper use.

WARNING

- Do not discard any of the packaging until you have checked that you have all the parts and the pack of fittings.
- To ensure an easier assembly, we strongly advise that all fittings are only finger tightened during initial assembly. Only upon completion of the assembly should all fixing points be fully tightened.
- Keep fittings out of children's reach.(Choking hazard –contains small parts).
- Always dispose of packaging material in such a way that it may not cause any danger. There is always a risk of suffocation if children play with plastic bags!
- This outdoor umbrella is designed and made for personal non-commercial use. It should not be used as a toy or a tool.
- Ensure that your working area is free of possible sources of danger; for example don't leave any tools lying around.
- This product is not intended for Inclement /Severe weather in any form including, but not limited to: rain, hail, sleet, snow and/or wind. The Manufacturer recommends that with formidable weather approaching you disassemble and store this unit in a safe location.
- Use care when handling.
- For outdoor use only.
- Install on level ground.
- Do not place the product near an open flame or too close to any heat source eg heaters and BBQs.
- Do not use any portion of this unit as a support.
- Do not shake, lean or climb on it.
- Do not use sharp tools with this product as it may scratch the finish.
- Please note that parasols should be used in conjunction with a suitable table and parasol base for stability.



Correct Use



Incorrect Use

Safety and Care Advice

Care and maintenance

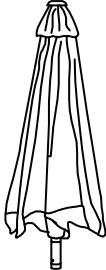
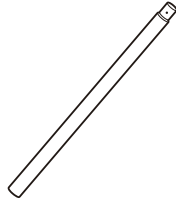
- For best results, clean frame with damp cloth and dry thoroughly. This will help prevent mildew by removing dirt particles that may accumulate. If the canopy is wet, allow to dry naturally in the open position before storing.
- Do not use abrasive materials or cleaners.
- In order to prolong the life of your umbrella when not in use or during inclement weather (rain, hail, sleet, snow, wind), fire, extreme heat and freezing conditions, the umbrella needs to be stored in a dry, sheltered place. In addition, when not in use your umbrella needs to be stored.

Components - Parts & Fittings

Please check you have all the parts & fittings listed below

Note: The quantities below are the correct amount to complete the assembly. In some cases more fittings may be supplied than are required.

Parts list

<p>A</p>  <p>X1</p>	<p>B</p>  <p>X1</p>
---	---