



—Established 1864—

Assembly Instructions

Malda Bistro set - Table

(507685)



Important: Do not fully tighten all screws until assembly is complete.



Safety and Care Advice

Important – Please read these instructions fully before starting assembly

- Check you have all the components and tools listed on page 3.

- Remove all fittings from the plastic bags and separate them into their groups.

- Keep children and animals away from the work area, small parts could choke if swallowed.

- Make sure you have enough space to layout the parts before starting.

- Do not stand or put weight on the parts during assembly, this could cause damage.

- Assemble on a soft level surface to avoid damaging the unit or your floor.



- We do not recommend the use of power drill/drivers for inserting screws, as this could damage the unit, only use hand screwdrivers.

- Dispose of all packing carefully and responsibly.

- Do not sit or stand on the table.

- Do not stand on the chair.

- Please lift with care.

- Wipe with a damp doth then let dry naturally

- We recommend the use of furniture covers when not in use

- In order to prolong the life and your Bistro Set, we recommend it be stored in a dry and protected area during off season periods.

- Do not use washing powders or any abrasive substances which may scratch the surface.



Friendly Tips

- Do not fully tighten all screws until assembly is complete.
- Assembly will be easier with 2 people.

Components - Parts & Fittings

Please check you have all the parts & fittings listed below

Note: The quantities below are the correct amount to complete the assembly.
In some cases more fittings may be supplied than are required.

A

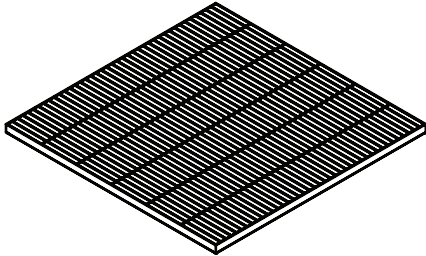


Table top x 1

B

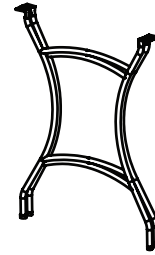


Table leg x 1

C



bolts(6x12) x 4

D



washer(6x19) x 4

Tools Provided

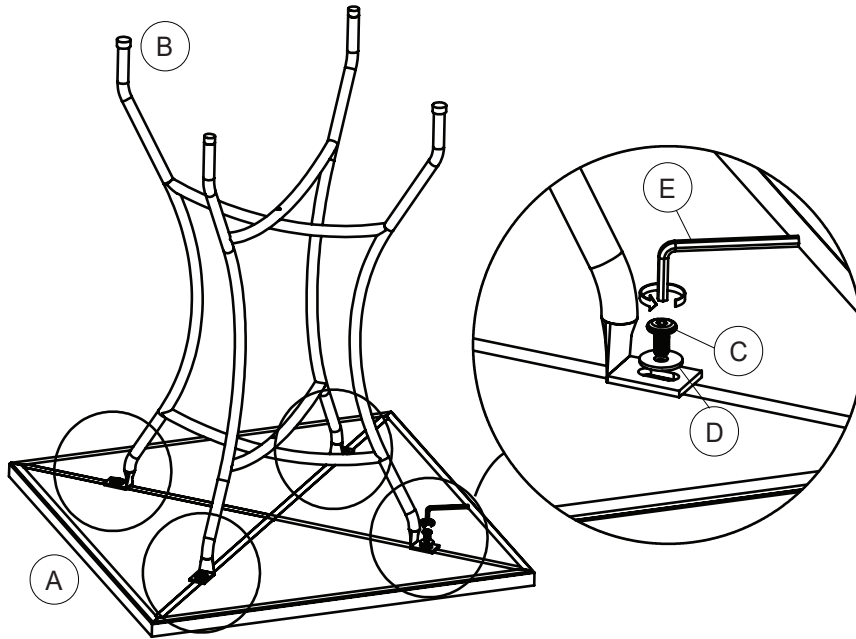
E



Allen Key 4mm x 1

Assembly Instructions

1



2



Important: Do not fully tighten all screws until assembly is complete.

**Hillier Nurseries Ltd, Ampfield House, Ampfield,
Romsey, Hampshire S051 9PA**