

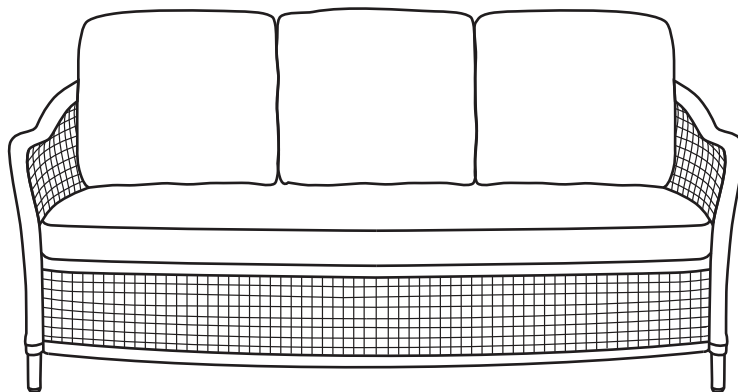
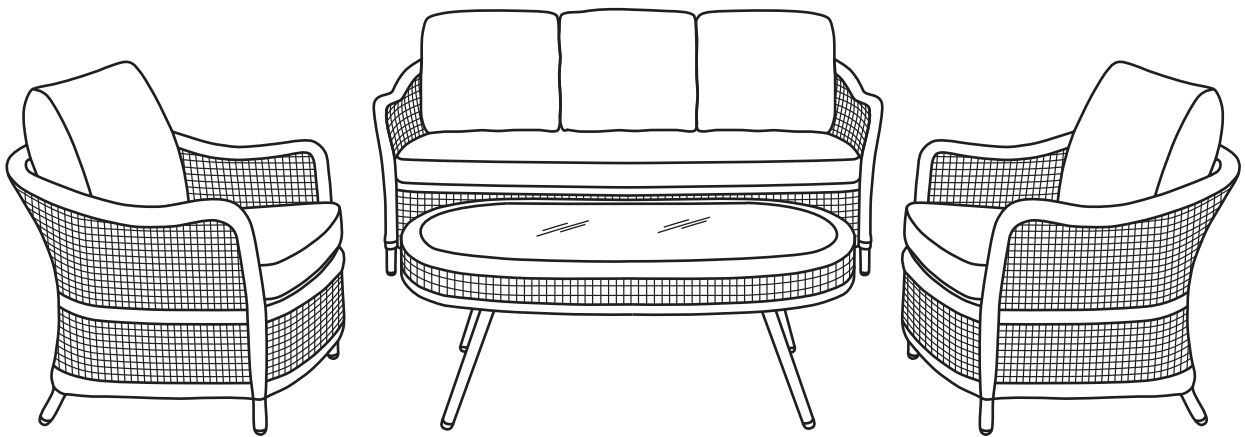


—Established 1864—

## Assembly Instructions

### Hilda Sofa - Sofa

(507691)



Important: Do not fully tighten all screws until assembly is complete.



## Safety and Care Advice

**Important – Please read these instructions fully before starting assembly**

- Check you have all the components and tools listed on page 3.

- Remove all fittings from the plastic bags and separate them into their groups.

- Keep children and animals away from the work area, small parts could choke if swallowed.

- Make sure you have enough space to layout the parts before starting.

- Do not stand or put weight on the parts during assembly, this could cause damage.

- Assemble on a soft level surface to avoid damaging the unit or your floor.



- We do not recommend the use of power drill/drivers for inserting screws, as this could damage the unit, only use hand screwdrivers.

- Dispose of all packing carefully and responsibly

- Do not sit or stand on the table.

- Do not stand on the bench and the chair.

- Please lift with care.

- Wipe with a damp cloth then let dry naturally

- We recommend the use of furniture covers when not in use

- In order to prolong the life of your sofa set, we recommend it be stored in a dry protected area during off season periods.

- Do not use washing powders or any abrasive substances which may scratch the surface.



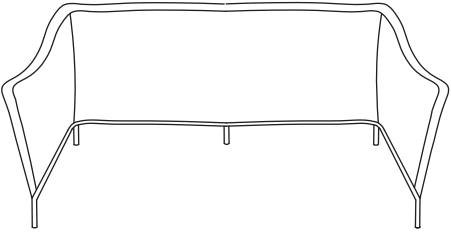
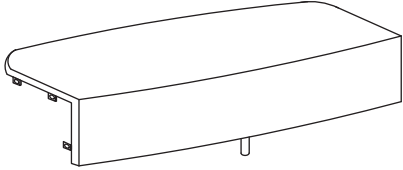
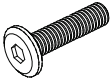
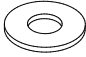

### Friendly Tips

- Do not fully tighten all screws until assembly is complete.
- Assembly will be easier with 2 people.

# Components - Parts & Fittings

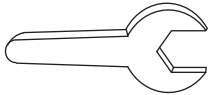
Please check you have all the parts & fittings listed below

Note: The quantities below are the correct amount to complete the assembly.  
In some cases more fittings may be supplied than are required.

|   |   |   |
|---|---|---|
| <p>1</p>  <p>Back x 1</p>             | <p>2</p>  <p>Seat x 1</p>                   |   |
| <p>A</p>  <p>Bolts M8x30mm x 9</p> | <p>B</p>  <p>Flat Washers ø19x1mm x 16</p> | <p>C</p>  <p>Nuts M8x6mm x 7</p> |

## Tools Provided

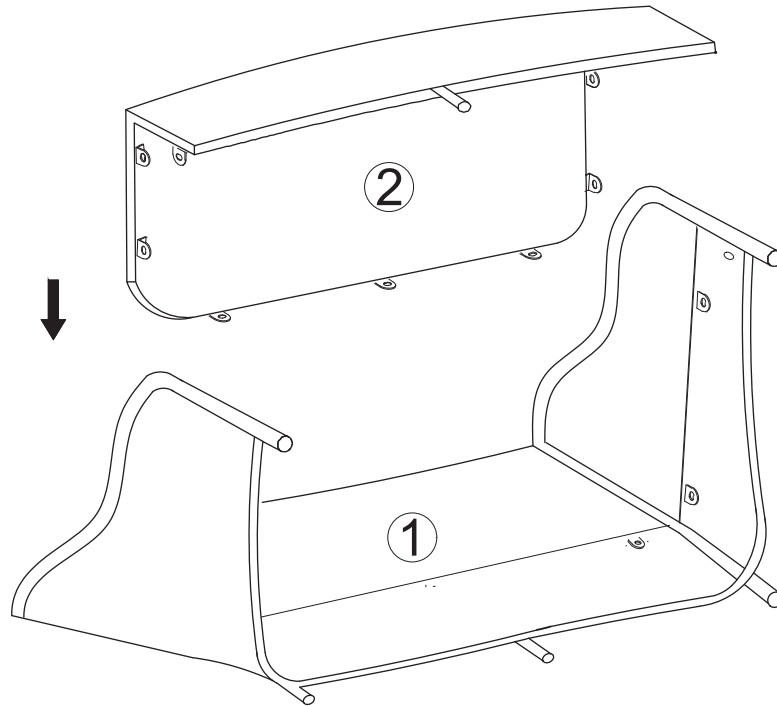
|   |
|---|
| <p>D</p>  <p>Allen Key 4mm x 1</p> |
|---|

|   |
|---|
| <p>E</p>  <p>Key x 1</p> |
|---|

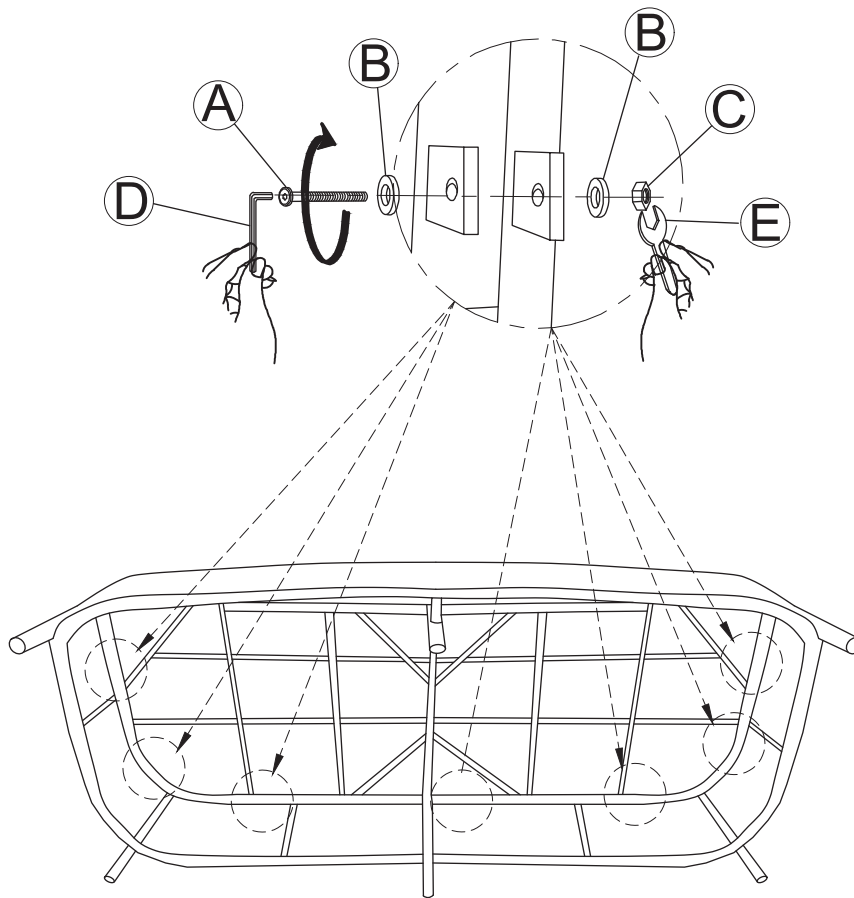
## Not Included

# Assembly Instructions

1



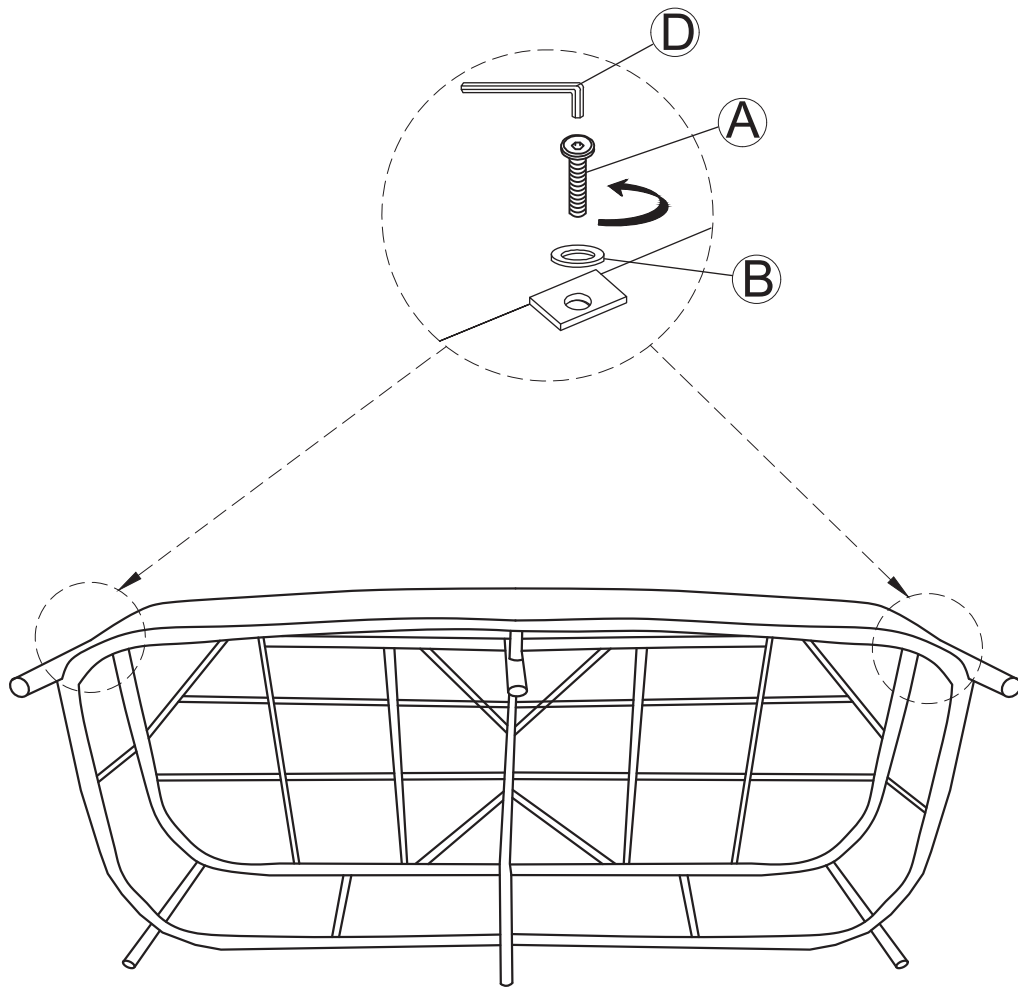
2



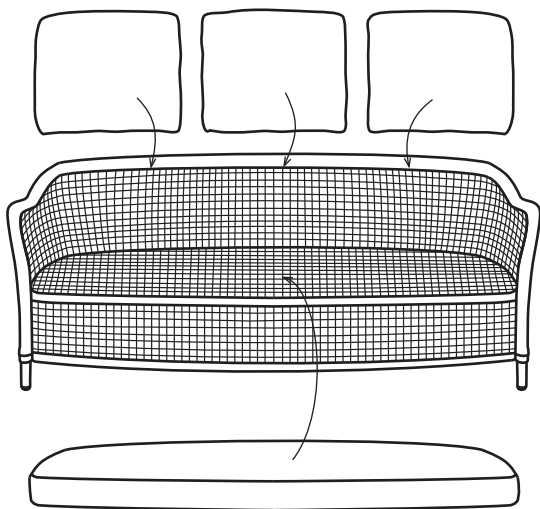
Important: Do not fully tighten all screws until assembly is complete.

# Assembly Instructions

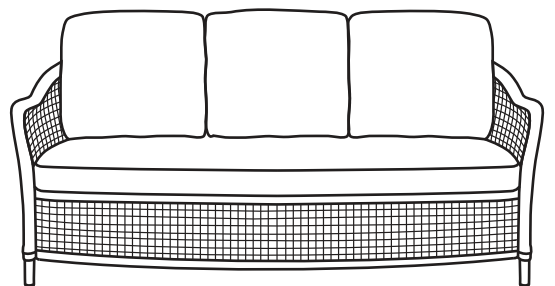
3



4



5



Important: Do not fully tighten all screws until assembly is complete.

---

Hillier Nurseries Ltd, Ampfield House, Ampfield,  
Romsey, Hampshire SO51 9PA